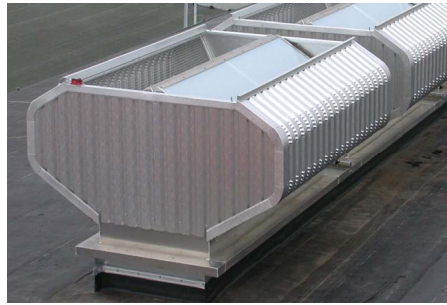
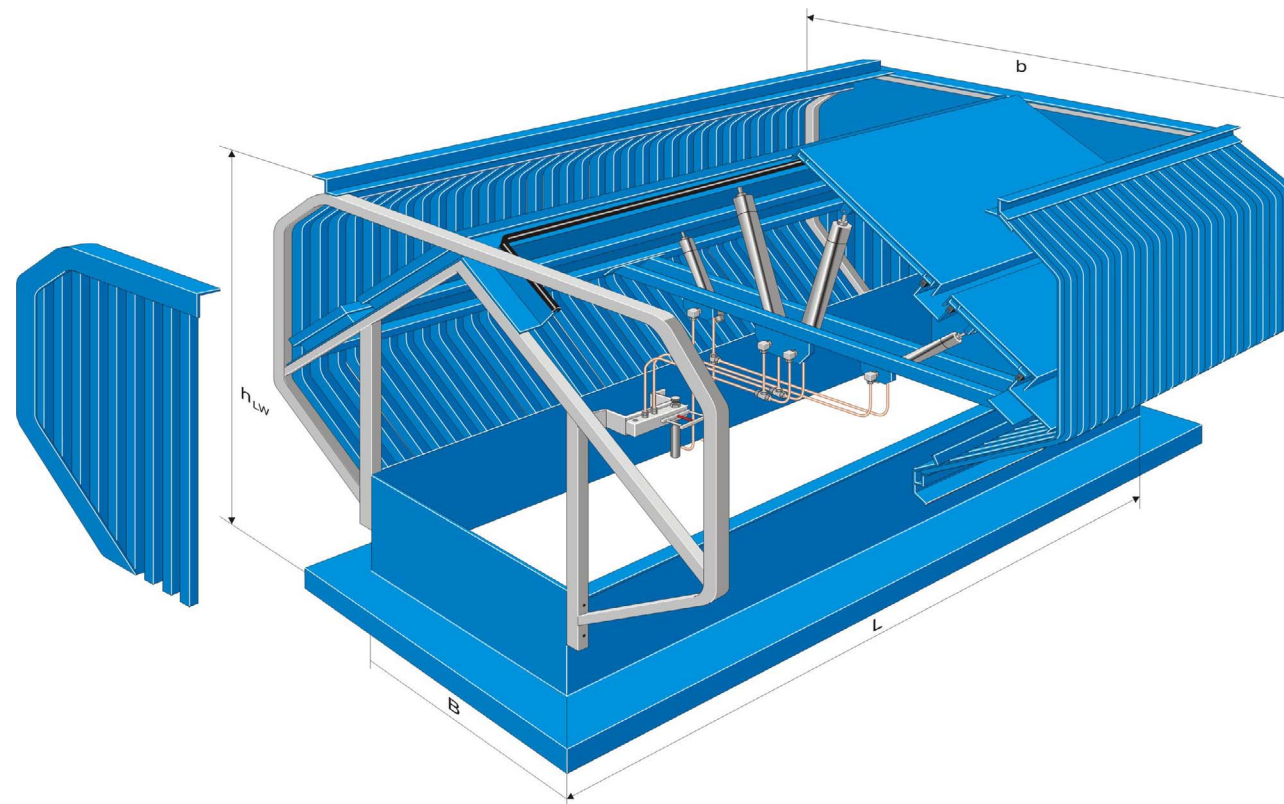


Multipurpose Gravity Roof Ventilator Series GL-BS

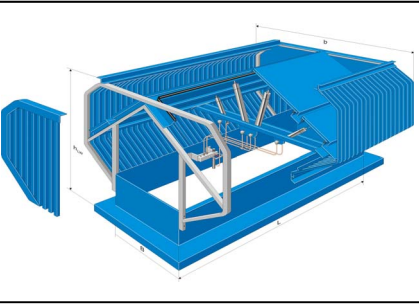


Overview

Multipurpose gravity roof ventilator for low to medium specific heat loads with integrated smoke and heat extraction function as per DIN and VDS (certified).



Multipurpose Gravity Roof Ventilator Series GL-BS



Product Description

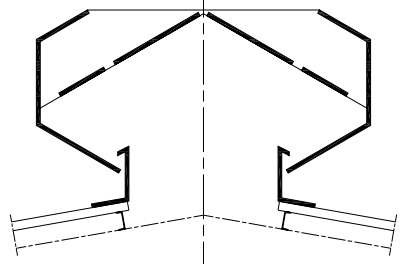
**The GAL multipurpose ventilator.
Natural ventilation - automatic fire ventilation - daylight illumination.**

Like all of our multipurpose ventilators, the Series GL-BS models have a certificate of conformity that enables their use for smoke and heat extraction applications.

This system enhances the quality of air and lighting at the workplace, thereby contributing to improving safety and saving energy.

The GAL high-capacity multipurpose ventilators in the Series GL-BS are not only useful in the event of fire, they also enhance room climate quality through weather-independent natural ventilation. The ventilators have an optimised aerodynamic shape, deliver high extract air volume and guarantee permanent ventilation, even in rainfall. In the event of fire, the system automatically and effectively exhausts smoke and heat from the building. The coefficient of discharge C_{v0} is 0.35 for standard ventilation and 0.75 when the flaps are fully opened in the event of fire or weather conditions without rainfall. Particularly when heat loads are low to medium, this ventilator is a modern alternative to conventional labyrinth ventilators, which are associated with system-specific disadvantages and low aerodynamic effectiveness.

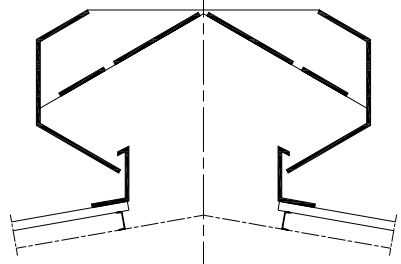
Multipurpose Gravity Roof Ventilator Series GL-BS



Dimensions and Weight Technical Data

Type	B (mm)	b (mm)	h_{LW} (mm)	L (mm)	C_{v0} DIN 18232	Weight (Kg) Frames Aluminium Cladding Aluminium	Weight (Kg) Frames Steel Cladding Aluminium	Weight (Kg) Frames Steel Cladding Steel
500	500	1050	650	2500	0.35 / 0.75	60	80	140
750	750	1400	850	2500	0.35 / 0.75	80	100	200
1000	1000	2200	1250	2500	0.35 / 0.75	100	130	260
1500	1500	3090	1420	2500	0.35 / 0.75	150	210	470
2000	2000	3350	1705	2500	0.35 / 0.75	193	290	500

Multipurpose Gravity Roof Ventilator Series GL-BS

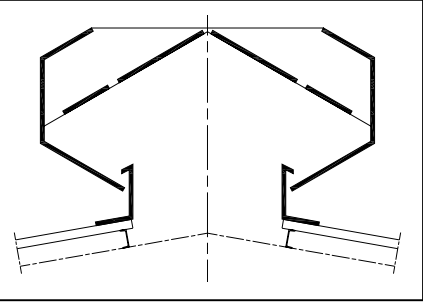


Material Specification Options

Material of cladding			Material of frame structure					
Galvanized steel sheet, coated	Aluminium, uncoated or coated	Plastic	Aluminium hollow sections		Steel			
			Uncoated	Coated	Hollow sections		Rolled sections	
					Galvanized	Galvanized and coated	Galvanized	Galvanized and coated
X	X	X	X	X	X	X	X	X

Operation of dampers				Options							
Manual		Pneumatic	Electric	Transparent roof	Trapezoidal sheets		Certified smoke extraction function	Bird screen	Pressure relief function for potentially explosive applications	Sealings	Ladder
Hand lever	Teleflex				Horizontal	Corrugated					
N/A	N/A	X	X	X	X	X	X	X	N/A	X	N/A

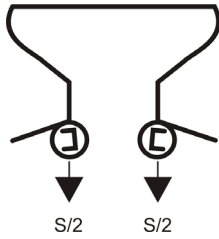
Specification of the coating system according to customer request and required corrosion protection.



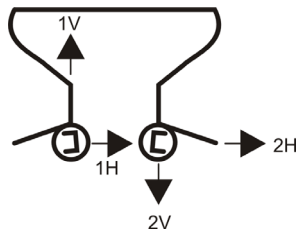
Multipurpose Gravity Roof Ventilator Series GL-BS

Wind and Snow Loads

Type	Snow loads S [kN] ($S_0 = 0.75 \text{ kN/m}^2$)
500	0.50
750	0.75
1000	1.10
1500	1.55
2000	1.68



Type	Wind loads for buildings up to 100m height [kN]			
	1V	1H	2V	2H
500	-0.70	-0.90	0.84	-0.95
750	-1.00	-1.30	1.20	-1.35
1000	-1.20	-1.50	1.60	-1.80
1500	-1.60	-2.00	2.20	-2.40
2000	-1.60	-2.45	2.70	-2.90



Loads for buildings >100 m on request.