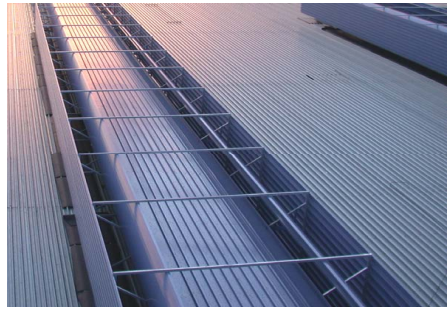
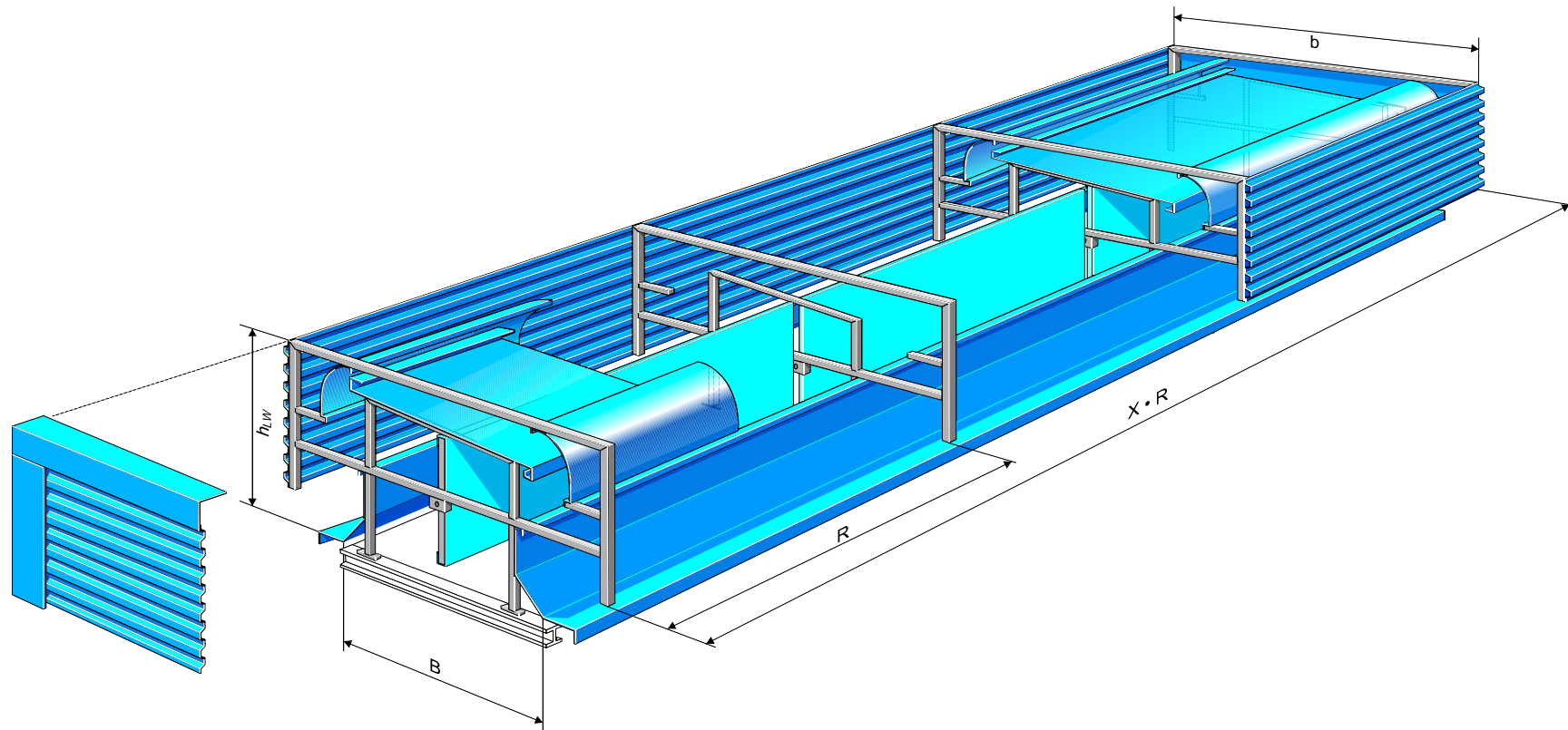


High-Performance Gravity Roof Ventilator Series GL-DII

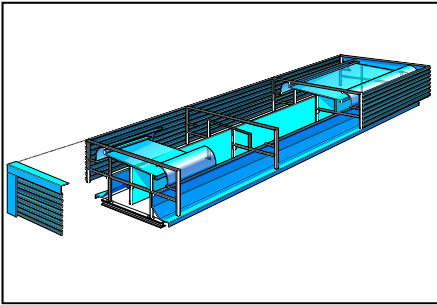


Overview

High-performance gravity roof ventilator for low to high specific heat loads.



High-Performance Gravity Roof Ventilator Series GL-DII



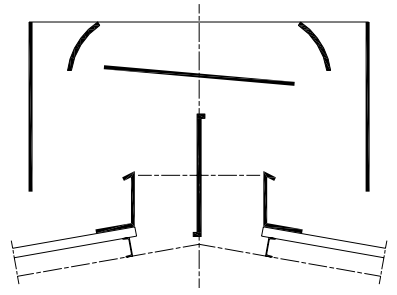
Product Description

Series GL-DII - the all-round gravity roof ventilator

The Series GL-DII ventilators were developed for industrial plants with low to high heat loads. They deliver a coefficient of discharge C_{v0} of 0.52 and can also be fitted with sound absorbing slabs according to the level of sound insulation required.

The Series GL-DII models without control dampers, such as those used in tropical countries or in industrial plants which run at 100% thermal load most of the time, offer impressive value for money. Furthermore, the vertical wind guide walls prevent dust deposits and are easily cleaned. The Series GL-DII is therefore ideal for applications with high dust contamination of the exhaust air.

High-Performance Gravity Roof Ventilator Series GL-DII

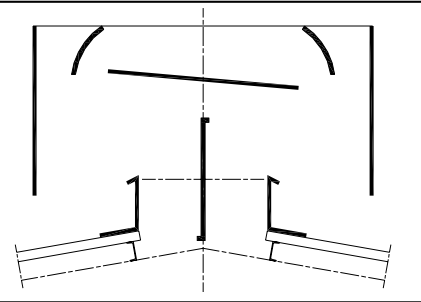


Dimensions and Weight Technical Data

Type	B (mm)	b (mm)	h _{LW} (mm)	R (mm)	R _w (dB) DIN 52210, Part 4	C _{v0} DIN 18232	Weight (Kg/m) Frames Aluminium Cladding Aluminium	Weight (Kg/m) Frames Steel Cladding Aluminium	Weight (Kg/m) Frames Steel Cladding Steel
1000	1000	2400	1500	max. 4500	11	0.52	36	47	62
1500	1500	3600	2100	max. 4500	11	0.52	77	100	130
2000	2000	4330	2400	max. 4500	11	0.52	105	137	178

Technical data for throat sizes above 2000 mm on request.

High-Performance Gravity Roof Ventilator Series GL-DII



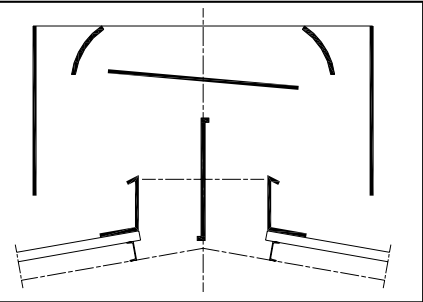
Material Specification Options

Material of cladding			Material of frame structure					
Galvanized steel sheet, coated	Aluminium, uncoated or coated	Plastic	Aluminium hollow sections		Steel			
			Uncoated	Coated	Hollow sections		Rolled sections	
					Galvanized	Galvanized and coated	Galvanized	Galvanized and coated
X	X	X	X	X	X	X	X	X

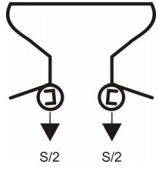
Operation of dampers				Options							
Manual		Pneumatic	Electric	Transparent roof	Trapezoidal sheets		Certified smoke extraction function	Bird screen	Pressure relief function for potentially explosive applications	Sealings	Ladder
Hand lever	Teleflex				Horizontal	Corrugated					
X	X	X	X	X	X	X	N/A	X	N/A	X	N/A

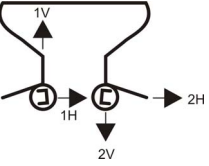
Specification of the coating system according to customer request and required corrosion protection.

High-Performance Gravity Roof Ventilator Series GL-DII



Wind and Snow Loads

Type	Snow Loads S [kN] ($S_0 = 0.75 \text{ kN/m}^2$)	
1000	2.12	
1500	3.18	
2000	4.24	

Type	Wind Loads for buildings up to 100m height [kN]				
	1V	1H	2V	2H	
1000	-3.25	-2.73	3.25	2.54	
1500	-4.88	-4.10	4.88	3.81	
2000	-6.5	-5.46	6.5	5.08	

Loads for buildings >100 m on request.