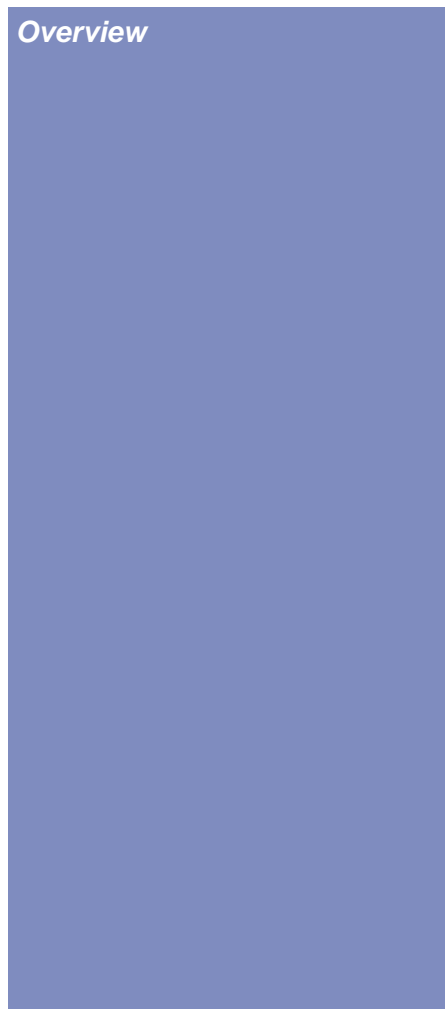
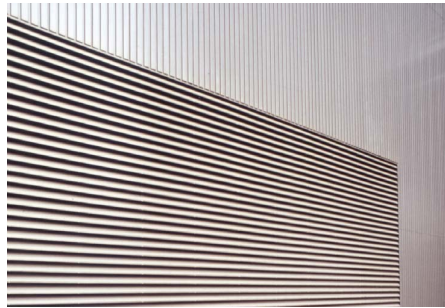
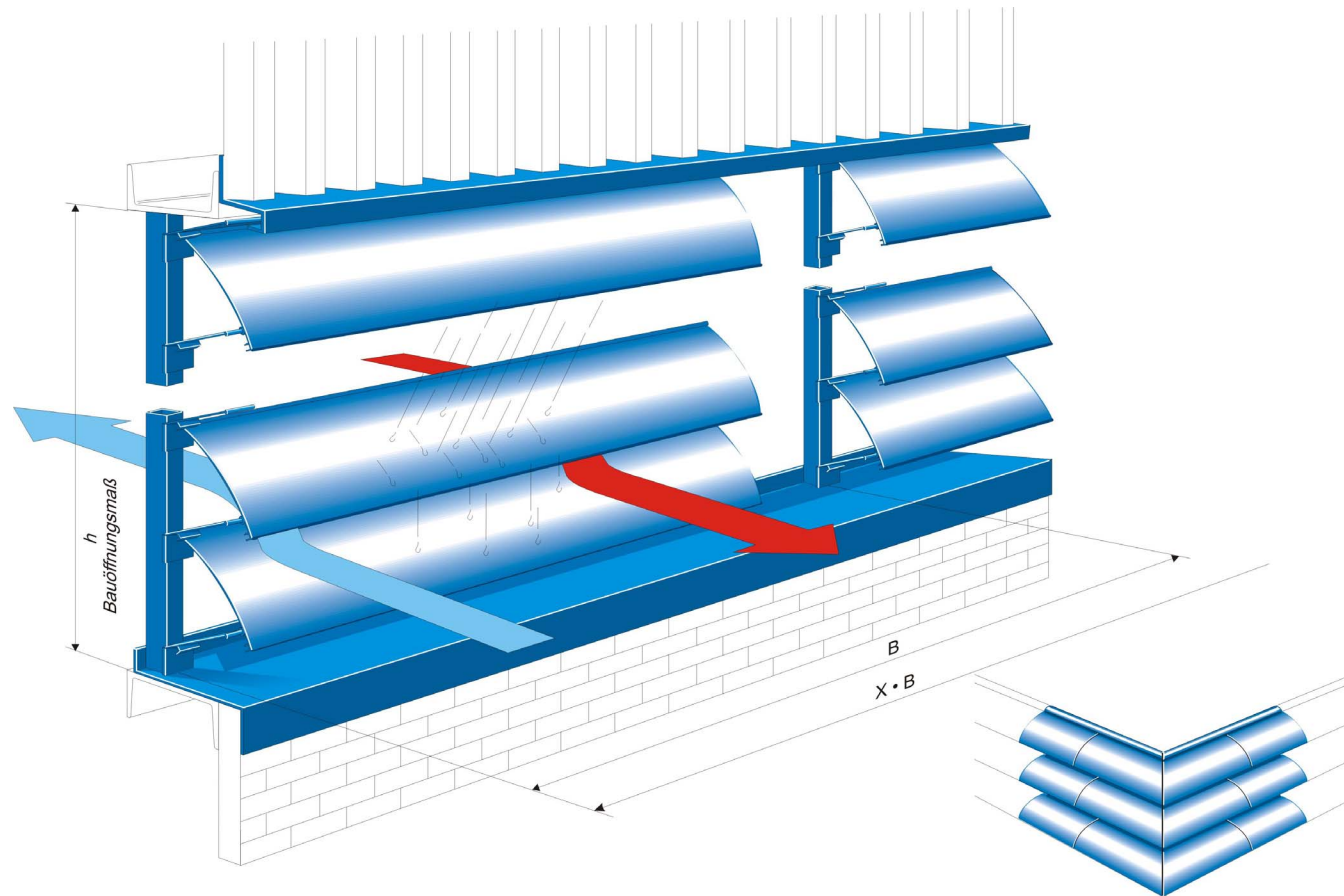


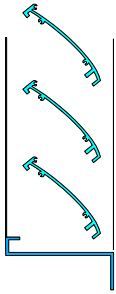
## Air Inlet Louvres Series LUE-FW



Industrial air inlet louvers constructed of extruded aluminium sections



## Air Inlet Louvres Series LUE-FW

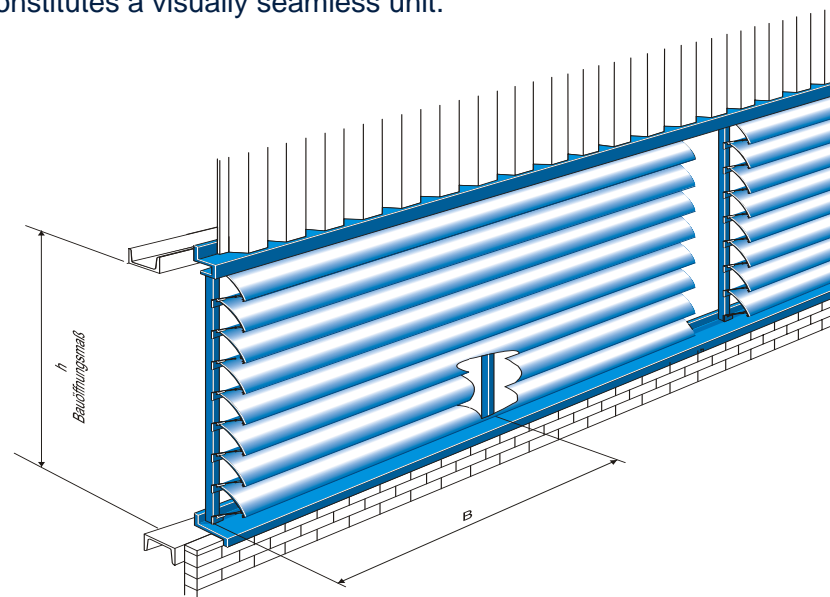


### Product Description

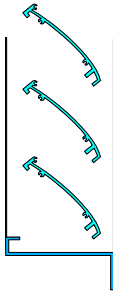
**GAL air inlet louvres improve the climatic conditions at the workplace. Optimised function and design. The aesthetically appealing louvre wall.**

GAL has developed an entirely novel air inlet louvre that opens up new horizons for the future. It is suitable for both architectural and industrial applications. The new design of the aerodynamically optimised blade profiles was developed on the basis of an aircraft wing profile and tested at the German Aerospace Centre (DLR) in Göttingen. It enables maximum air intake capacity and optimum rain-tightness. This new louvre model with stormproof blades is still effective when installed in highly exposed locations, where high wind speeds can occur.

The louvres can be individually adapted to match the architecture or colour of the building façade. The Series LUE-FW continuous louvre wall is ideal for large-scale, aesthetically designed air inlet surfaces, because it can have any vertical or horizontal length and constitutes a visually seamless unit.



## Air Inlet Louvres Series LUE-FW



### Technical Data Material Specification Options

#### Louvre Blades

Material: Extruded Aluminium Profile  
(AlMgSi 0.5 F22)

Thickness: 1.8 mm

Weight: approx. 9 Kg/m<sup>2</sup>

#### Coefficient of Discharge

C<sub>vo</sub> 0.35

No. of blades	Height of opening	Width
5	846	Variable according to customer specification. Maximum width: no limit.
6	1011	
7	1176	
8	1341	
9	1506	
10	1671	
11	1836	Intermediate size and oversized louvres are custom made to specifications.
12	2001	
13	2166	
14	2331	
15	2496	
16	2661	
17	2826	
18	2991	

Operation				Finish			Options			
Manual		Pneumatic	Electric	Uncoated	Anodized	Coated	Certified smoke extraction function	Bird screen	Lip seal	Side frame seal
Hand lever	Teleflex									
N/A	N/A	N/A	N/A	X	X	X	N/A	X	N/A	N/A