

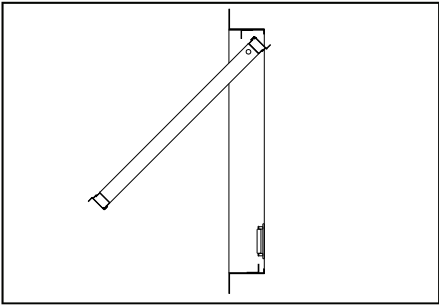
Pressure relief dampers, series DK-6



Overview

Industrial-type extruded aluminium pressure relief dampers.





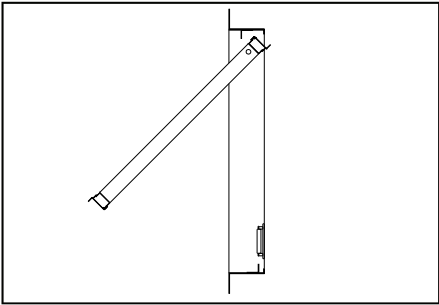
Pressure relief dampers, series DK-6

Product description

GAL pressure relief dampers deliver preventive explosion protection. Optimised function and design.

GAL has developed a versatile pressure relief damper for preventive explosion protection at industrial enterprises based on the tried-and-tested components of the LUE/LUD-type louvers. They incorporate the familiar GAL extruded aluminium element frames.

Depending on requirements, the dampers are available in single-skin, double-skin or transparent versions. They effectively unite the two applications of daylight illumination and pressure relief. The pressure relief dampers can be coated with RAL colours to match the building's architectural concept.



Pressure relief dampers, series DK-6

Technical data
Material specification
Options

Element frame

Material: eloxal grade aluminium extruded profile (AlMgSi 0,5 F22)
Material thickness: 2,0 mm

Damper frame

Material: eloxal grade aluminium extruded profile (AlMgSi 0,5 F22)
Material thickness: 1,5 mm
Bearings: 1.4305 Edelstahl

Damper flap




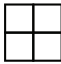
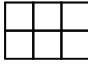
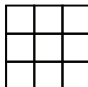
Material: aluminium, steel or polycarbonat
Single- or double skin

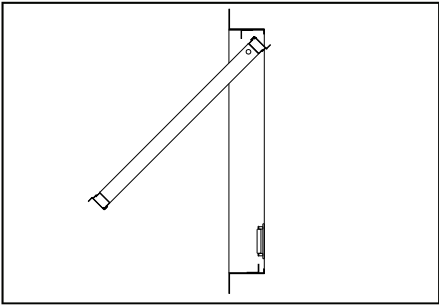
Release

Release pressure: variable through magnet, max. 5 mbar
Max. load : 130 mbar as per VDI 2263, page 3

Dimensions

Damper flap: 800 X 700 mm
Element: no. of dampers plus element frame

1 Damper flap	
2 Damper flaps, vertical alignment	
3 Damper flaps, vertical alignment	
4 Damper flaps	
6 Damper flaps, horizontal alignment	
9 Damper flaps	



Pressure relief dampers, series DK-6

Reference customers

ThyssenKrupp Steel AG, Werk Hamborn

Transparent design, polycarbonate double-skin sheet
4 dampers, each with 2 flaps in each field

